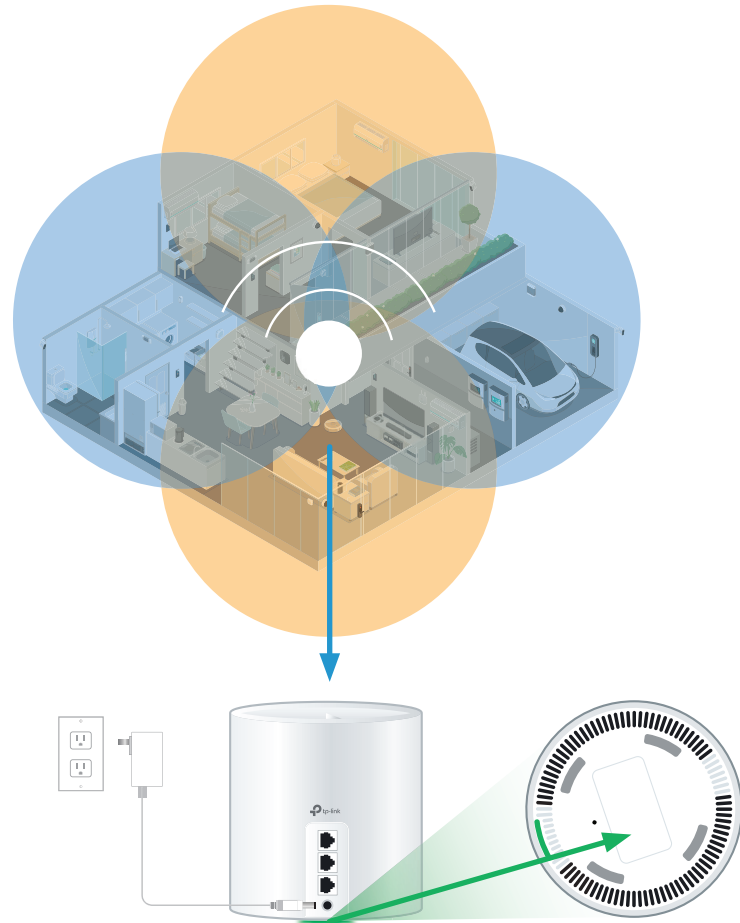


Boost your Wi-Fi signal and coverage with additional pods

For best results we recommend a Wi-Fi pod on every floor; call us today to add additional pods.

Follow these easy steps to set up your additional Wi-Fi pod(s):

1. Place the additional Wi-Fi pod where you want it and plug it into a power outlet.
2. When the light on the bottom of the Wi-Fi pod is solid green, your additional pod is now connected to your Wi-Fi network. This can take up to 5 minutes.



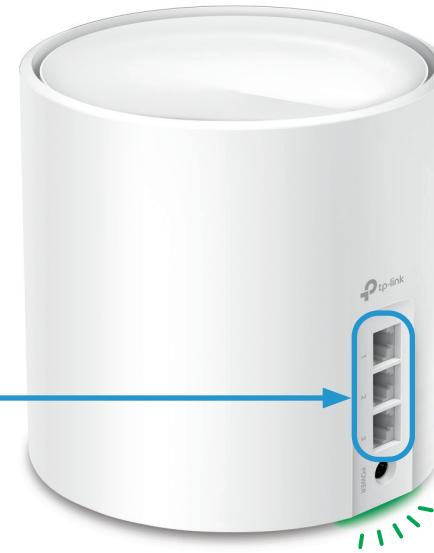
Connecting Wired Devices

Each Wi-Fi 6 pod is equipped with three ethernet ports

Your modem will take one port on your main Wi-Fi pod. The additional ports or additional Wi-Fi pods can be used to connect a nearby device.

For example:

- Home Phone Analog Telephone Adapter (ATA)
- TV Set Top Box
- Gaming Console
- Computer



Wi-Fi 6 Pod Set Up Guide

for Fibre Internet



For general support for your Internet, or for additional self-help resources visit helpcentre.distributel.ca or contact our Technical Support team at **1-877-810-2877**.



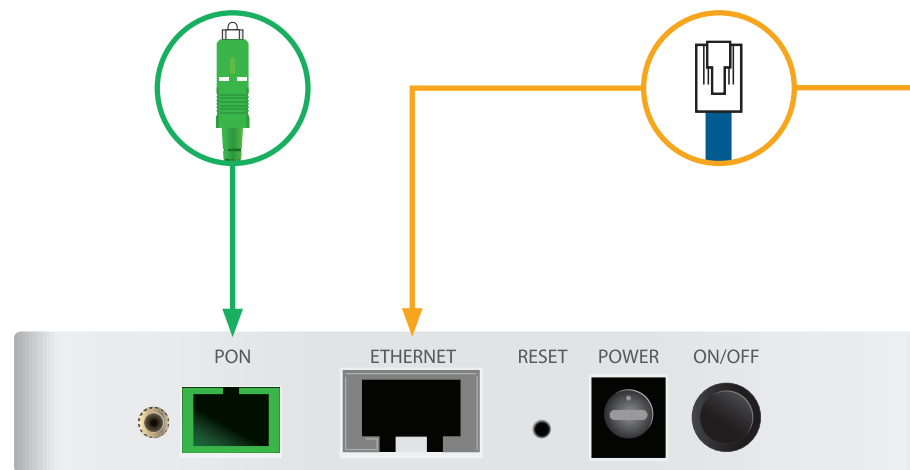
Setting Up Your Fibre Internet Service and Wi-Fi Network

> If you are an existing Distributel Digital Home Phone or TV subscriber, please refer to helpcentre.distributel.ca after you have completed your Wi-Fi set up for additional instructions.

Step 1 - Fibre installation

A technician will complete your fiber installation inside your home, this will take approximately 2-4 hours.

The technician will test the fibre terminal/ONT, and leave it connected to the fibre internet cable and powered on.



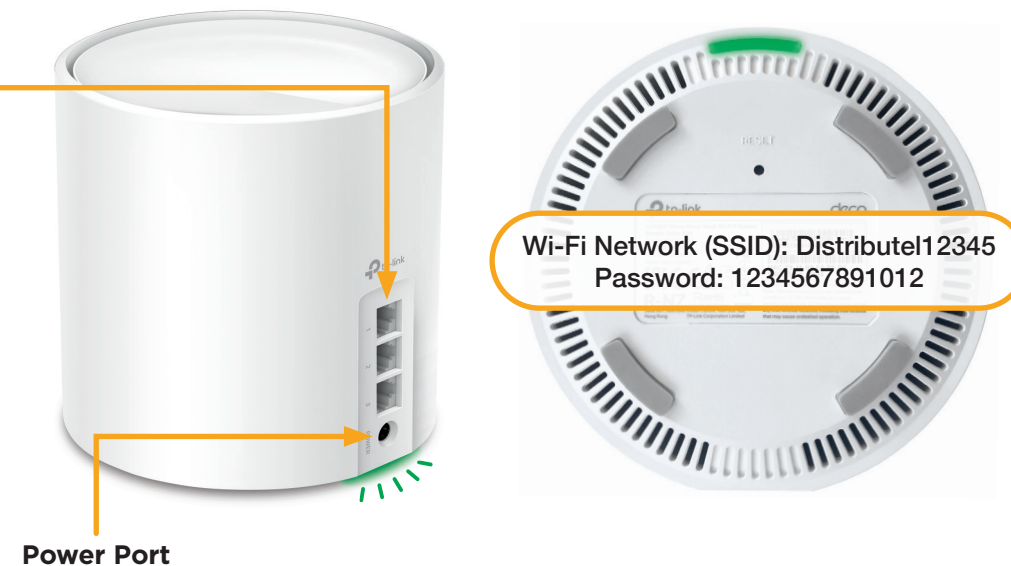
Warning: Moving the fibre terminal may result in electrical hazard and internet service disruption.

Step 2 - Connect and power devices

Connect the **ETHERNET** cable from the fibre terminal to the Wi-Fi pod.

Plug the **power supply** for your Wi-Fi pod into a power outlet.

The **light** on the bottom of the **Wi-Fi pod** should proceed from yellow to blue, then remain steady on **green**. This can take about 5 minutes.



! If the light is **red**, restart the fibre terminal by pressing the On/Off button and unplug the Wi-Fi pod power adaptors. Wait 30 seconds, then press the fibre terminal On/Off button. Wait another 30 seconds, and plug in the Wi-Fi pod.

Step 3 - Connect to Wi-Fi

Go to Wi-Fi settings on a device you would like to connect, and search for available Wi-Fi networks.

Select the **Wi-Fi Network (SSID)** and enter the password that matches those found on the bottom of your Wi-Fi pod.

Download the TP-Link Deco app to manage your service



- Customize your Wi-Fi name and password
- Parental controls
- Create a separate network for guests

That's it, you should now be ready to enjoy your Distributel Wi-Fi!